

4100-52D
Sternal Rake Plate Assembly, Dull Tip

4100-52D Dull Tip
Sternal Rake Plate Assembly
Accessory for:
Ratchet/Rake Assembly 4100-IMR-6



**Optional Dull Tip
Rake Plate**

DULL TIP RAKE PLATE: A sharp tip Sternal Rake Plate is supplied with the Rultract® Ratchet/Rake Assembly. The optional Dull Tip Sternal Rake Plate Assembly is available for use with the fragile, petite, elderly patient. Use of the Dull Tip Rake Plate is at surgeon's discretion.

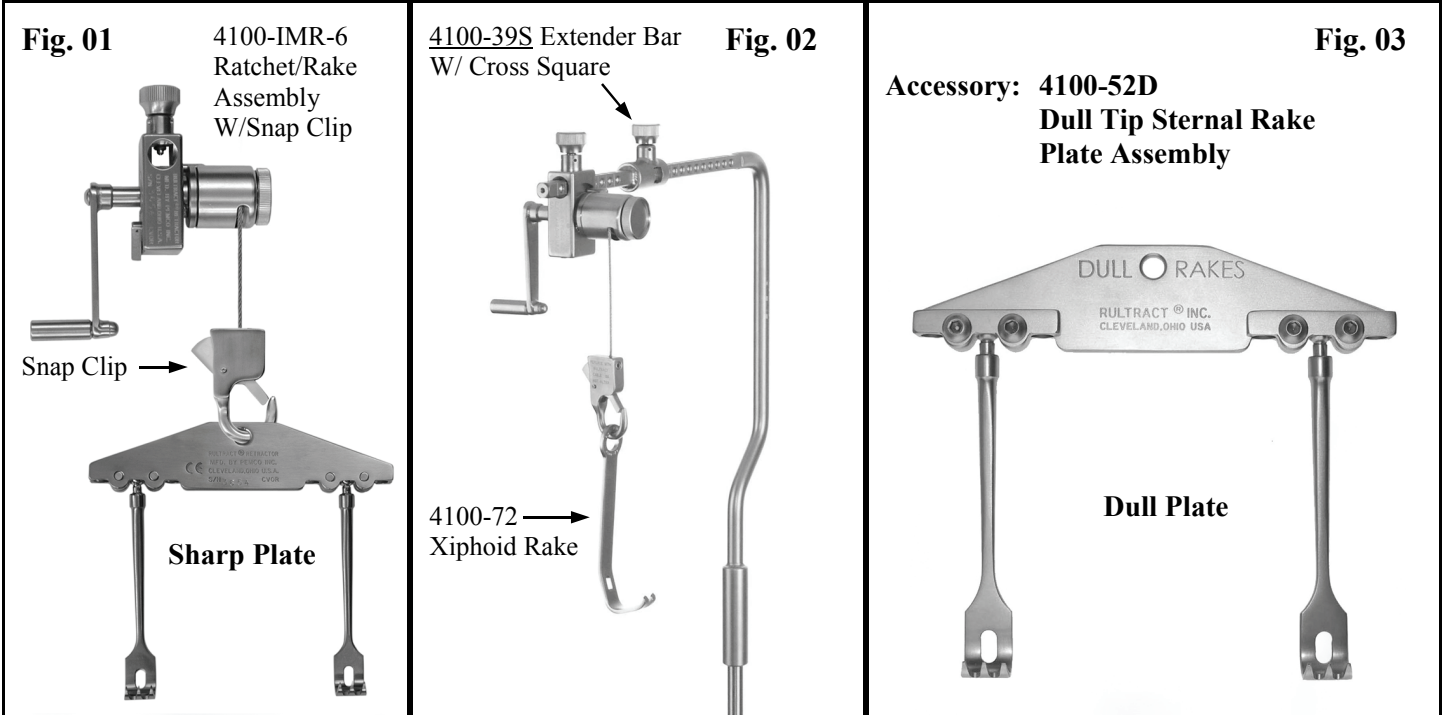
Rultract Inc. 5663 Brecksville Rd. Cleveland, Ohio 44131 U.S.A.
Website: www.rultract.net Email: rultract@aol.com
Phone: 888-550-5695 / 440-376-2077 / 330-856-9808



ACCESSORIES:

SINGLE RAKE: Remove the supplied Sharp Tip Sternal Rake Plate Assembly from the Snap Clip (Fig. 01) and replace with a single rake. Example: With an Extender Bar and Snap Clip, the unique lifting design of the Rultract® System may be used with a variety of single rakes. The optional Extender Bar gives direct upward lift of xiphoid area (Fig. 02).

DULL TIP RAKE PLATE: The Dull Tip Sternal Rake Plate Assembly is an accessory available for use with the fragile sternum. *Use of the Dull Tip Rake Plate is at surgeon's discretion.* (See *Proper Placement* drawing, p. 4).



Comparison: Sharp Tip Rake vs. Dull Tip Rake	Sharp Tip Sternal Rake 4100-12	Dull Tip Sternal Rake 4100-12D
<p><u>Each Ratchet/Rake Assembly is sold with Sharp Tip Sternal Rakes.</u></p> <p>The <u>supplied</u> Sharp Tip Sternal Rakes on the Rultract® IMA retractor are designed for use on all patients. To secure elevation of the sternum without slipping the flat surface of rake should be flush against sternal edge. While retracting slowly, the rake tips penetrate the sternum.</p> <p><u>CAUTION:</u> The Dull Tip Sternal Rake Plate is available as an accessory. The exact physiology of the sternum cannot be determined until the chest is opened. Therefore, the requesting institution assumes responsibility of having a Sharp Tip Sternal Rake Plate Assembly available at all times.</p>	