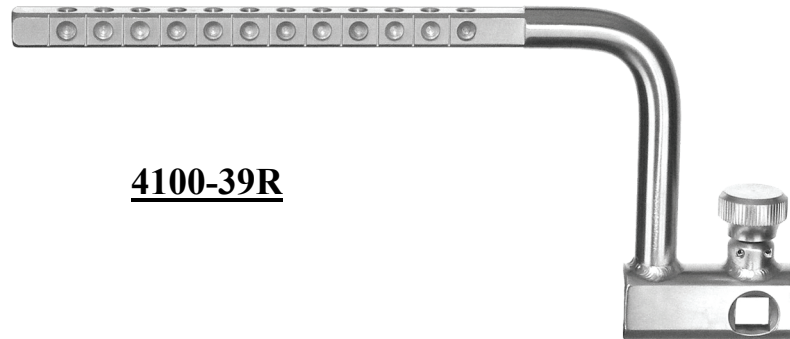
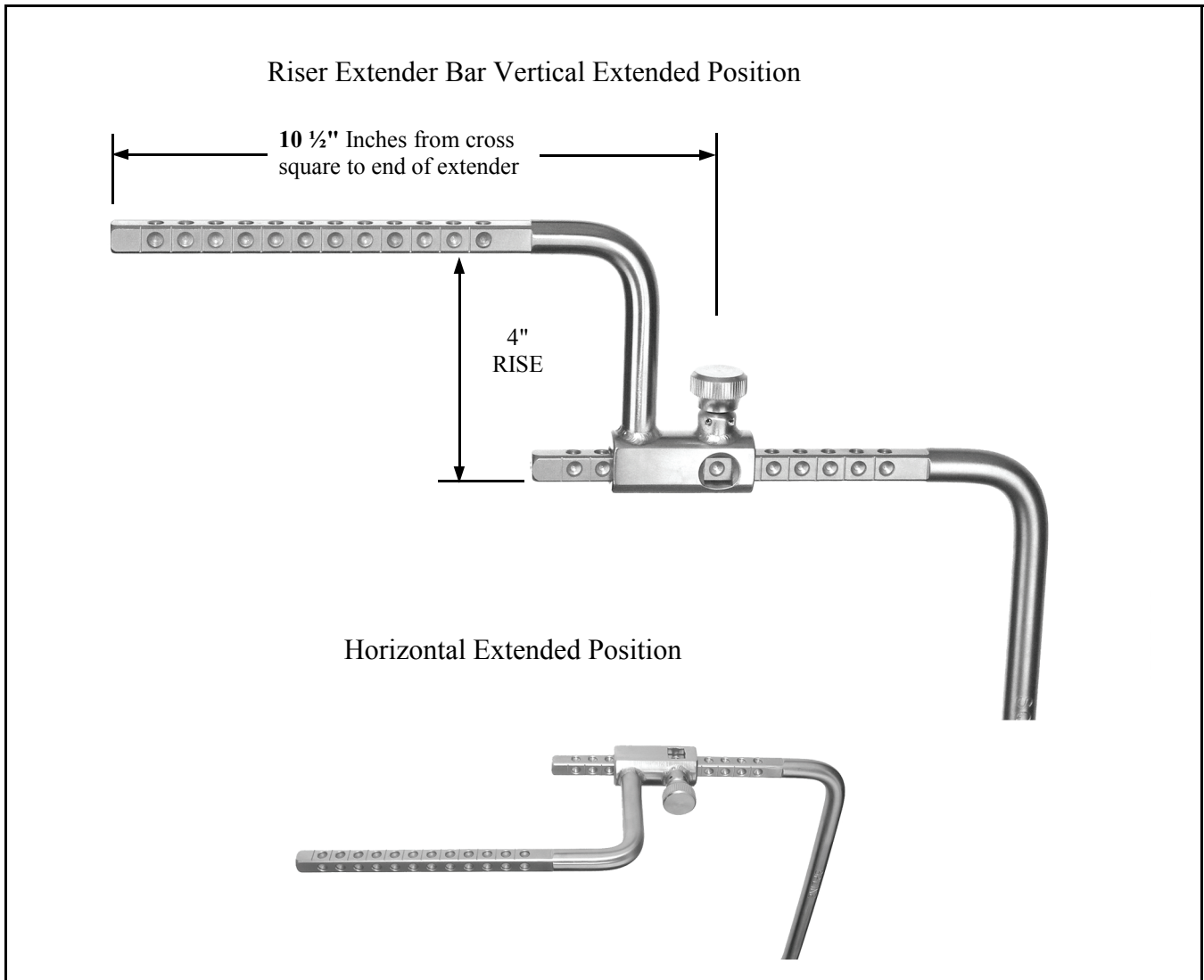


4100-39R
Riser Extender Bar with Cross Square
(4" rise and 8" extension)



4100-39R



Rultract Inc. 5663 Brecksville Rd. Cleveland, Ohio 44131 U.S.A.
Website: www.rultract.net Email: rultract@aol.com
Phone: 888-550-5695 / 440-376-2077 / 330-856-9808



RISER EXTENDER BAR: #4100-39R

(Fig. 01) Vertical Position Thru Hub

Back out nonremovable Lock Knob until it stops. With Lock Knob in vertical position slide hub onto post to desired location **over a detent**. Hand tighten knob securely.

(Fig. 02) Right Angle Vertical Position Thru Cross Square

Back out nonremovable Lock Knob until it stops. With Lock Knob in vertical position slide cross square onto post to desired location **over a detent**. Hand tighten knob securely.

(Fig. 03) Horizontal Position Thru Hub

Back out nonremovable Lock Knob until it stops. With Lock Knob in the horizontal position slide hub onto post to desired location **over a detent**. Hand tighten knob securely.

CAUTION: Lock Knob **must** be inserted in a detent for secure placement of accessories.

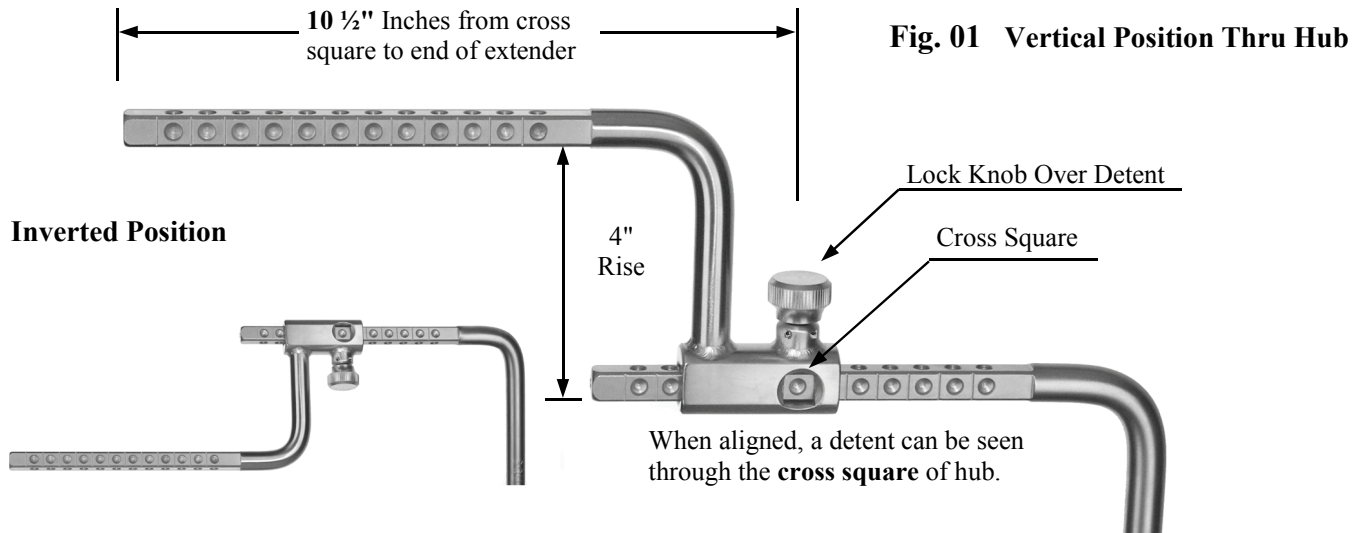


Fig. 02 Right Angle Vertical Position Thru Cross Square

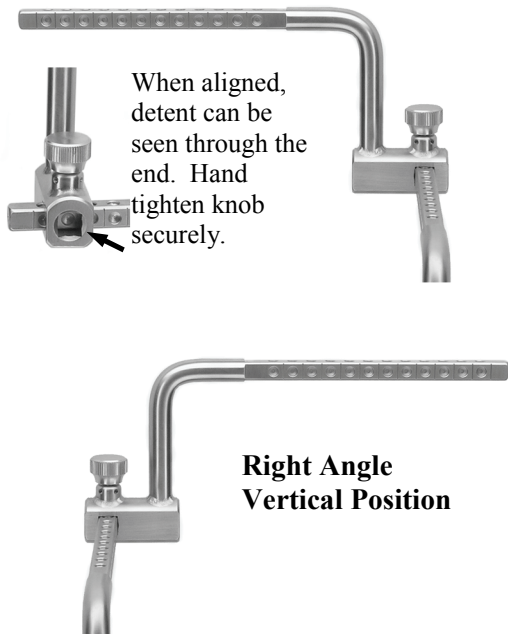


Fig. 03 Horizontal Position Thru Hub

